

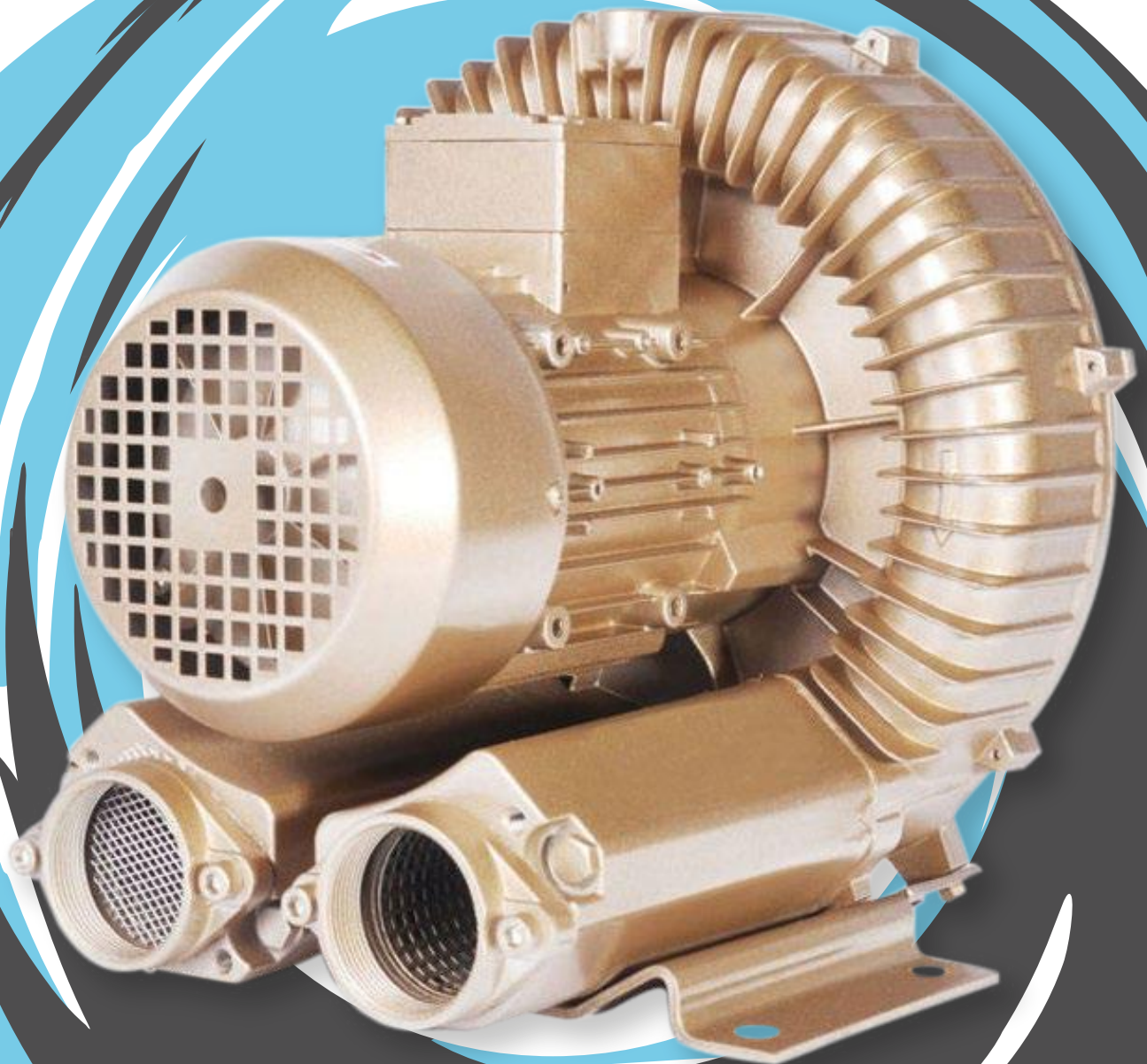
# ekko

Pumps

*Excellence in air handling*

**BLOWER  
CATALOG**

**PRESSURE  
- VACUUM**



# BLOWER EKZ 195 - 122

Model: EKZ 195 - 122 Pressure: 840 (mbar) 12.2 (Psi)

Phase: Three Weight: 65 (kg)

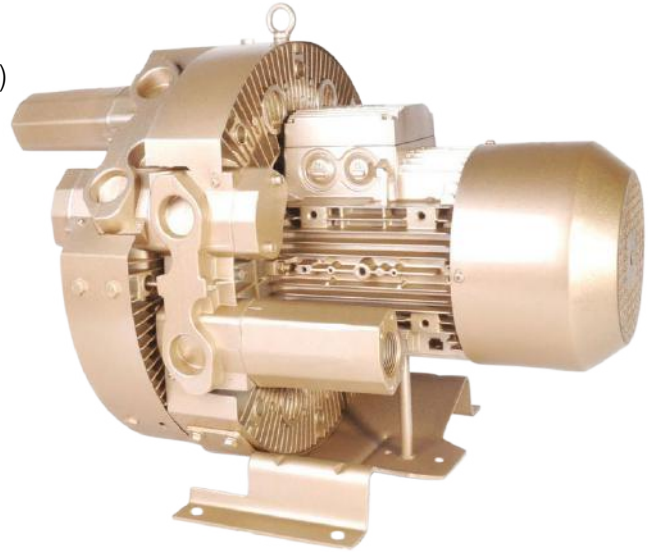
Power: 6.6 (kw) Air Flow: 195 (m3/h)

Sound: 72 dB (A) Vacuum: - 480 (mbar)

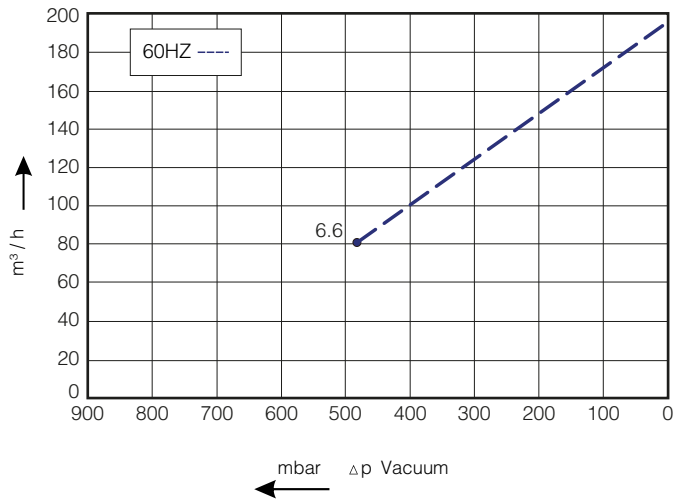
Frequency: 60 (Hz) Stage: Double

Voltage: 208 - 220 V / 440 - 460 V

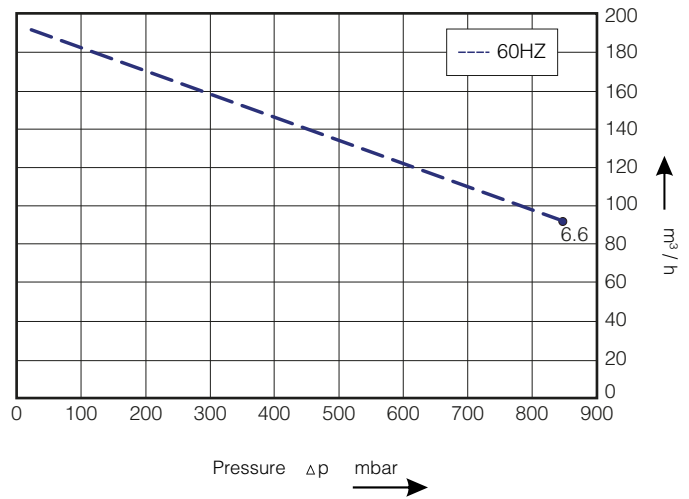
Suction and discharge Ports: 1 - 1/4" NPT



Vacuum Selection Curve



Pressure Selection Curve



## Dimensions

