

EK S E R I E S Dry Rotary Vane Vacuum Pumps

EKP - 80B, 85B, 90B, 95B & 100B



Single Stage, Carbon Vane Rotary, Air Cooled.

- Compact Design - Reliability & Durability
Easy to maintain and operate.
- Simple Installation - Air Cooled No
Water Required - Oil Free.
- Quiet Operation.
- V - Belt Drive
- Ideal for Vacuum and Blow Operation

Standard Equipment: Carbon Vanes, Built-in particulate Filter & Silencer, Vibration Isolators, Vacuum gage and Regulator, TEFC High Efficiency Motor

Optional Equipment: Pressure gauge & regulator for blow operation.

• Specifications:

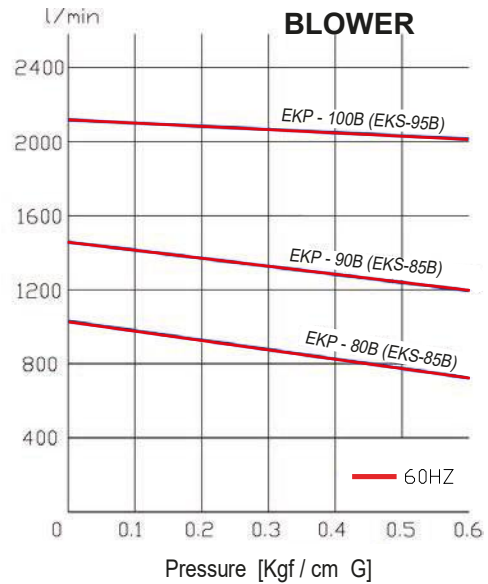
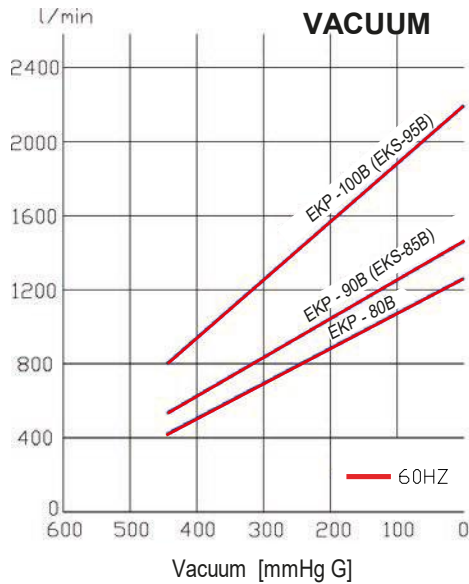
Models			EKS - 80B	EKS - 85B	EKS - 90B	EKS - 95B	EKS - 100B
Displacement	60Hz	l/min	1115x2	1350+1115	1350x2	1350+2200	2200x2
End Vacuum	mm HgG		650	650	650	650	650
Normal Operating Vacuum	mm HgG		450	450	450	450	450
Normal Operating Pressure	Kgf / cm ²		0.6	0.6	0.6	0.6	0.6
Motor	Kw		4	4	5.5	5.5	7.5
Pump Revolution	60Hz	RPM	1160	1160	1160	1160+ 1100	1100
Operating Amb.Te mp.	°C		0 ~ 40 °C				
Connections	Intake(G-Bsp)		1"	1"	1"	1" -1-1/4"	1-1/4"
Driven			V-Belt				
Weight	kg (with motor)		129	150	165	200	235

EK S E R I E S

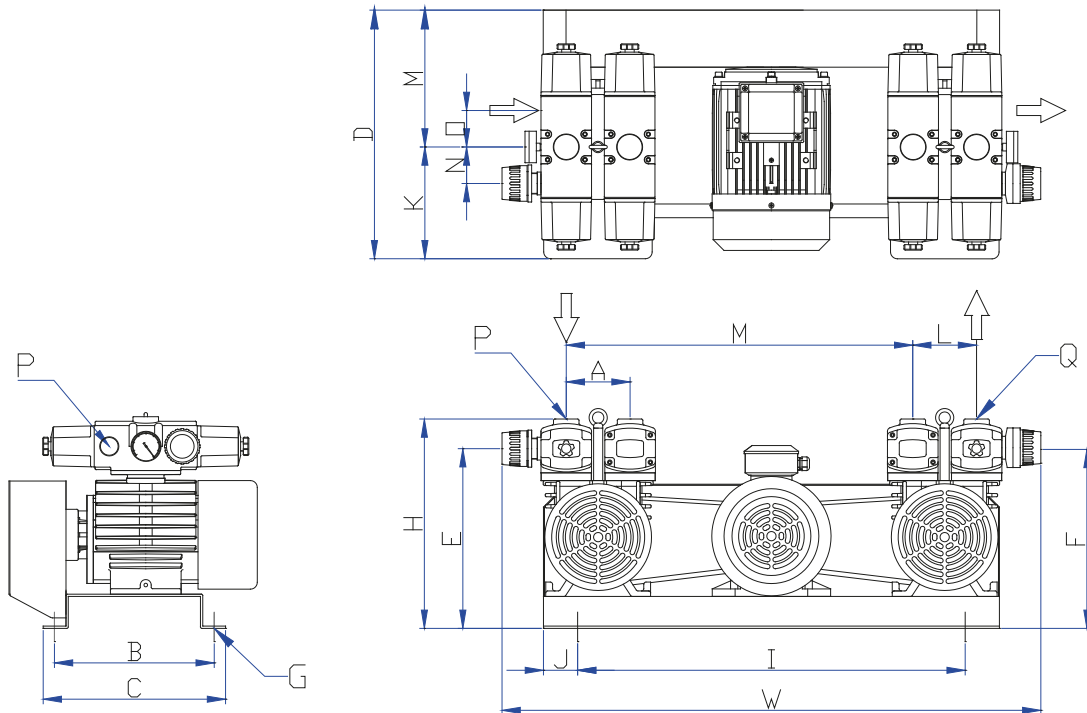
Dry Rotary Vane Vacuum Pumps

EKP - 80B, 85B, 90B, 95B & 100B

• Performance



• Dimensions



DIMENSIONS	W	H	A	B	C	D	E	F	G	I	J	K	L	M	N	O	P	Q
EKP-80B	1040	360	115	350	400	450	300	300	4 - Ø9	800	100	170	115	700	-	70	Rc 1"	Rc 1"
EKP-85B	1055	390	120	350	400	450	340	300	4 - Ø11	800	100	170	115	700	-	50/70	Rc 1"	Rc 1"
EKP-90B	1070	390	120	350	400	450	340	340	4 - Ø11	800	100	190	120	700	-	50	Rc 1"	Rc 1"
EKP-95B	1095	455	140	350	400	545	960	960	4 - Ø11	800	100	245/190	120	700	-	80/50	Rc4 / 1"	Rc 1"
EKP-100B	1120	455	140	350	400	545	400	960	4 - Ø11	800	100	245	140	700	80	80	Rc4 / 1"	Rc4 / 1"