

## EKS SERIES Dry Rotary Vane Vacuum Pumps

### EKP - 30A, 50A, 60A & 80A



#### Single Stage, Carbon Vane Rotary, Air Cooled.

- Compact Design - Reliability & Durability  
Easy to maintain and operate.
- Simple Installation - Air Cooled No  
Water Required - Oil Free.
- Quiet Operation.
- Timing Belt Drive
- Ideal for Vacuum and Blow Operation

**Standard Equipment:** Carbon Vanes, Built-in particulate Filter & Silencer, Vibration Isolators, Vacuum gage and Regulator, TEFC High Efficiency Motor

**Optional Equipment:** Pressure gauge & regulator for blow operation.

#### • Specifications:

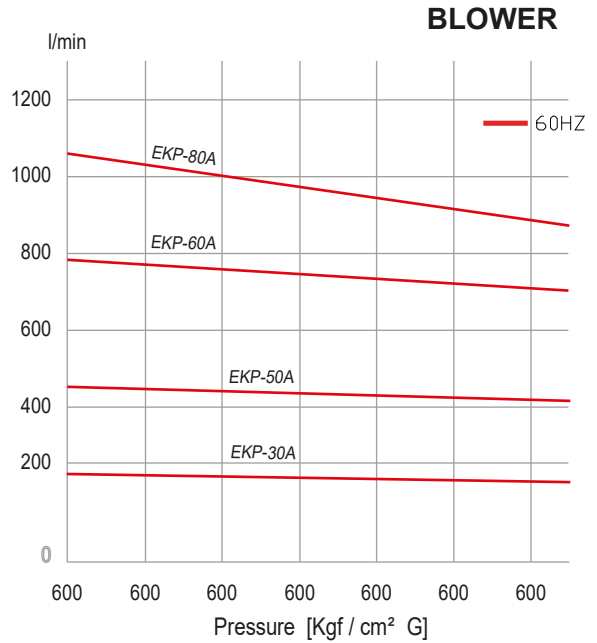
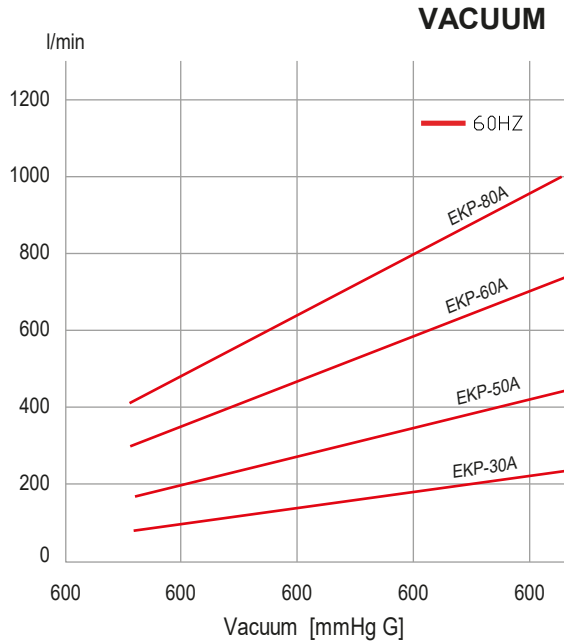
Models			EKS - 30A	EKS - 50A	EKS - 60A	EKS - 80A
<b>Displacement</b>	60Hz	l/min	280x2	480x2	685x2	1115x2
<b>End Vacuum</b>	mm HgG		650	650	650	650
<b>Normal Operating Vacuum</b>	mm HgG		450	450	450	450
<b>Normal Operating Pressure</b>	Kgf / cm <sup>2</sup>		0.6	0.6	0.6	0.6
<b>Motor</b>	Kw		0.75	1.5	2.2	4
<b>Pump Revolution</b>	60Hz	RPM	1740	1740	1740	1740
<b>Operating Amb. Temp.</b>	°C		0 ~ 40 °C			
<b>Connections</b>	Intake(G-Bsp)		3/4"	3/4"	3/4"	1"
<b>Driven</b>			T-Belt			
<b>Weight</b>	kg (with motor)		44	56	75	115

# EK S E R I E S

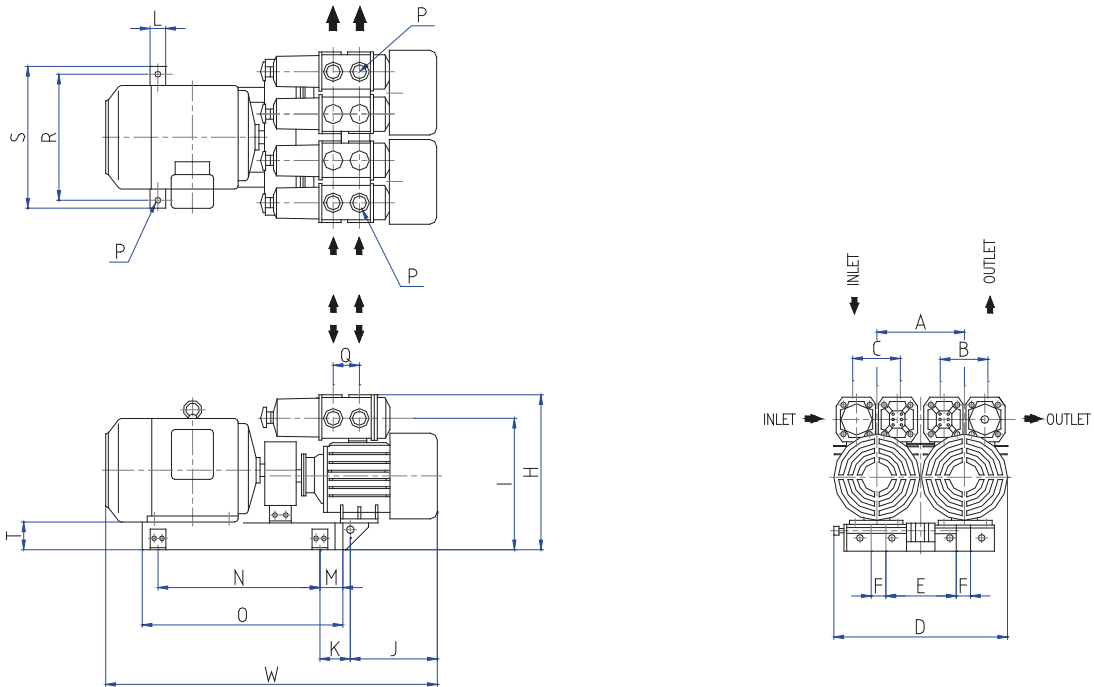
## Dry Rotary Vane Vacuum Pumps

### EKP - 30A, 50A, 60A & 80A

#### • Performance Curve



#### • Dimensions



DIMENSIONS	W	H	A	B	C	D	E	F	G	I	J	K	L	M	N	O	P	Q	R	S	T
EKP-30A	482	325	270	170	90	90	97	28	4 - Ø9	224	110	65	30	35	225	287	Rc 3/4"	50	205	233	50
EKP-50A	559	325	280	170	90	90	112	28	4 - Ø9	234	130	65	30	35	270	332	Rc 3/4"	50	220	248	50
EKP-60A	646	305	202	90	90	505	282	28	4 - Ø9	225	243	86	30	46	280	381	Rc 3/4"	50	240	268	50
EKP-80A	695	350	240	115	115	600	315	28	4 - Ø9	300	278	102	30	46	292	416	Rc 1"	72	270	298	50