

EK S E R I E S

Dry Rotary Vane Vacuum Pumps

EKS - 3, 5 & 6, 3H, 5H, & 6H



Single Stage, Carbon Vane Rotary, Air Cooled.

- Compact Design - Reliability & Durability
Easy to maintain and operate.
- Simple Installation - Air Cooled No Water Required - Oil Free.
- Quiet Operation.
- Direc Coupling Drive

Standard Equipment: Carbon Vanes, Built-in particulate Filter & Silencer, Vibration Isolators, Vacuum gage and Regulator, TEFC High Efficiency Motor.

Optional Equipment: Pressure gauge & regulator for blow operation.

• Specifications:

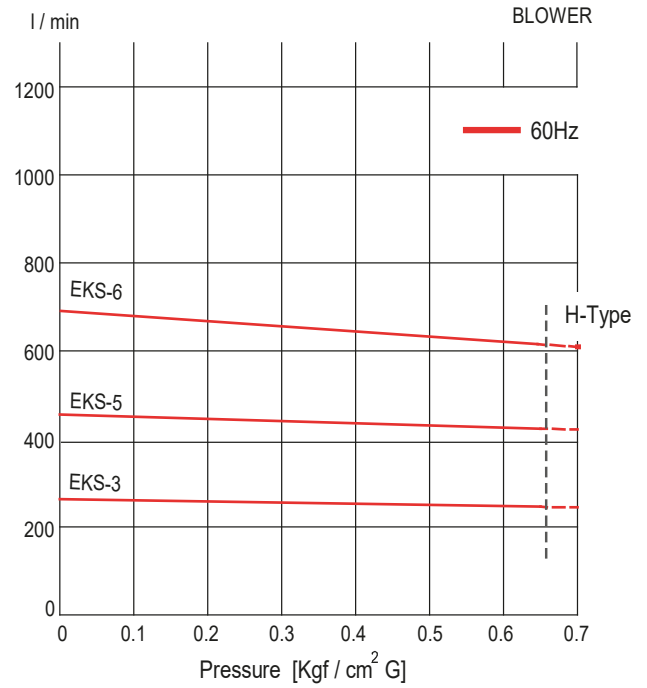
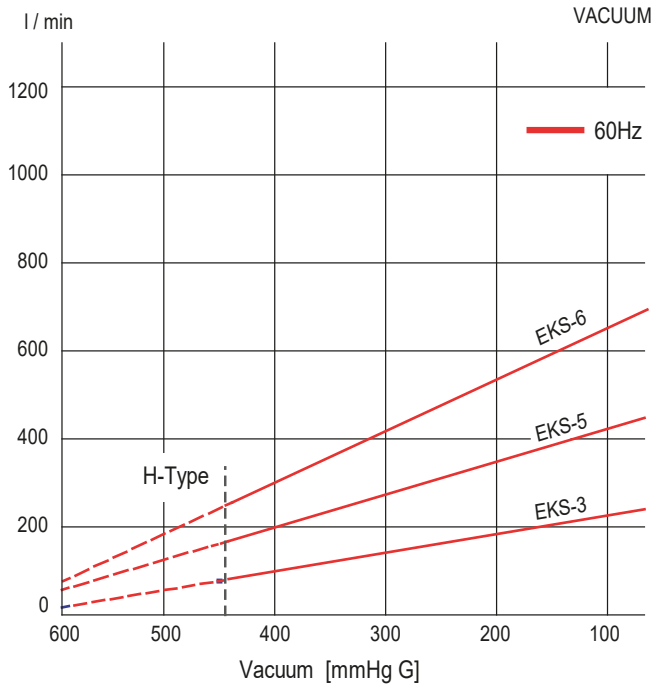
Models			EKS - 3 / 3H	EKS - 5 / 5H	EKS - 6 / 6H
Displacement	60Hz	l/min	280	480	685
End Vacuum	mm HgG		610	650	650
Normal Operating Vacuum	mm HgG		450 / 600	450 / 600	450 / 600
Normal Operating Pressure	Kgf / cm ²		0.6	0.6	0.6
Motor	Kw		0.4	0.75	1.5
Pump Revolution	60Hz	RPM	1740	1740	1740
Operating Amb. Temp.	°C		0 ~ 40 °C		
Connections	Intake(G-Bsp)		3/4"	3/4"	3/4"
Driven			3"		
Weight	kg (with motor)		24	33	44

EKSSERIES

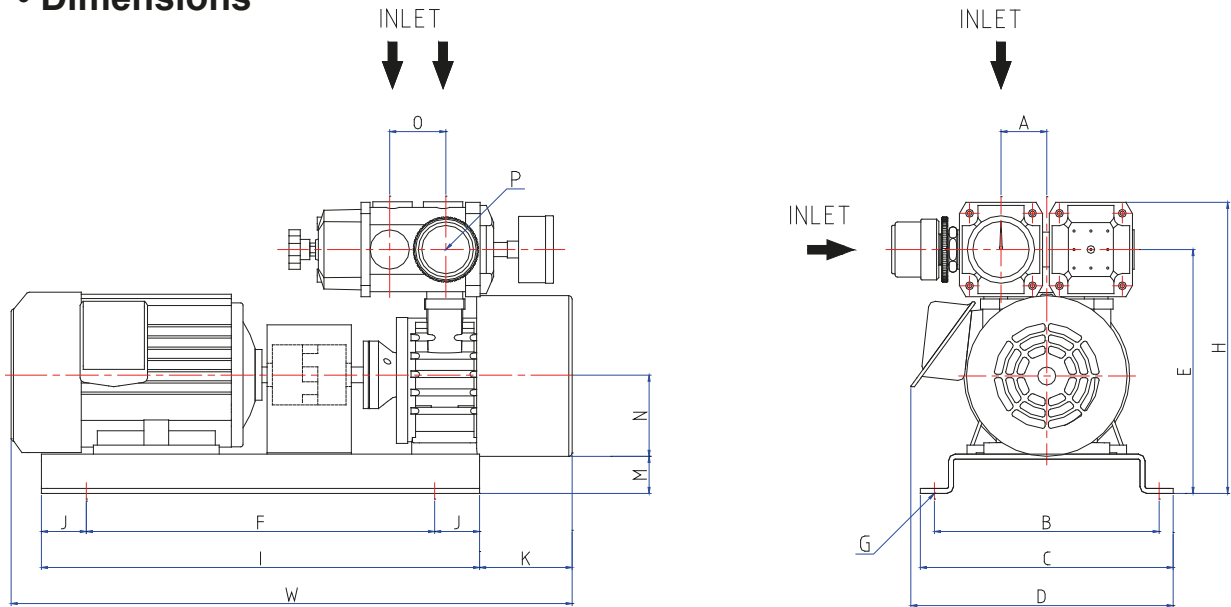
Dry Rotary Vane Vacuum Pumps

EKS - 3, 5 & 6, 3H, 5H, & 6H

• Performance Curve



• Dimensions



DIMENSIONS	W	H	A	B	C	D	E	F	G	I	J	K	M	N	O	P
EKS - 3	500	255	45	200	230	230	210	310	4 - Ø9	390	40	90	32	71	50	Rc 3/4"
EKS - 5	560	255		200	230	250	220	310	4 - Ø9	390		95	32	80		
EKS - 6	650	310		225	250	270	260	395	4 - Ø9	475		110	50	90		