

Dry Rotary Vane Vacuum Pumps

EKS - 10 & 10H



Single Stage, Carbon Vane Rotary, Air Cooled.

- Compact Design - Reliability & Durability
Easy to maintain and operate.
- Simple Installation - Air Cooled No Water Required - Oil Free.
- Quiet Operation.
- V - Belt Drive

Standard Equipment: Carbon Vanes, Built-in particulate Filter & Silencer, Vibration Isolators, Vacuum gage and Regulator, TEFC High Efficiency Motor

Optional Equipment: Pressure gauge & regulator for blow operation.

• Specifications:

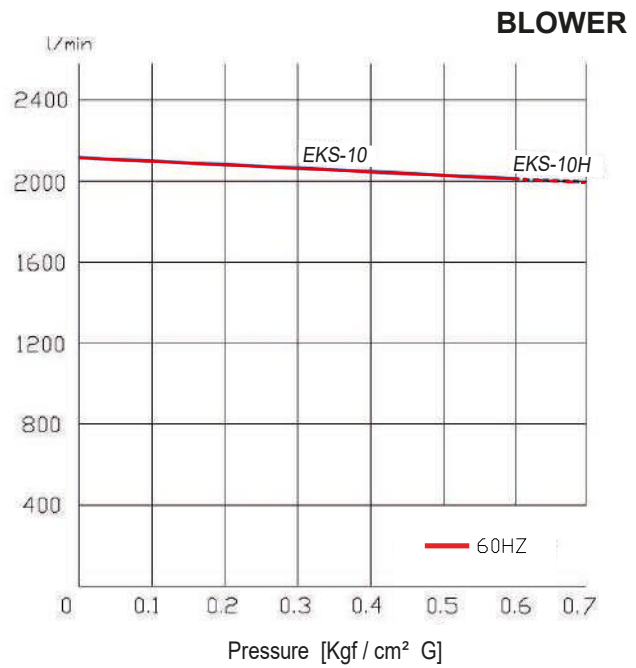
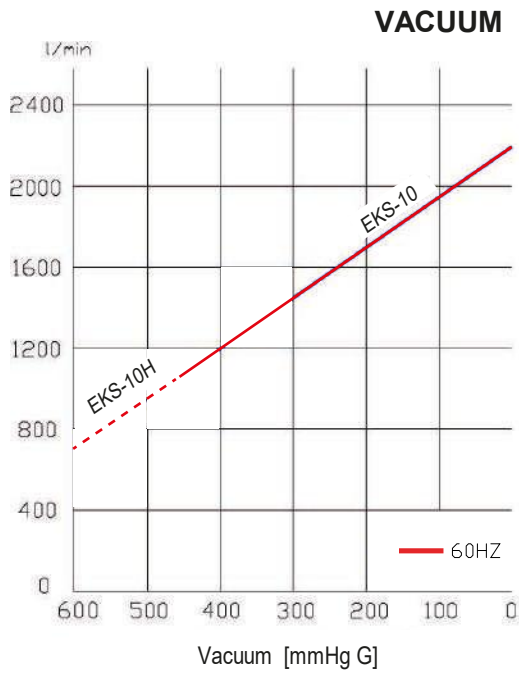
Models			EKS - 10	EKS - 10H
Displacement	60Hz	l/min	2200	2200
End Vacuum	mm HgG		670	740
Normal Operating Vacuum	mm HgG		410	600
Normal Operating Pressure	Kgf / cm ²		0.5	0.7
Motor	Kw		4	4
Pump Revolution	60Hz	RPM	1100	1100
Operating Amb. Temp.	°C		0 ~ 40 °C	
Connections	Intake(G-Bsp)		1 - 1/4"	1 - 1/4"
Driven			V - Belt	
Weight	kg (with motor)		120	120

EKS SERIES

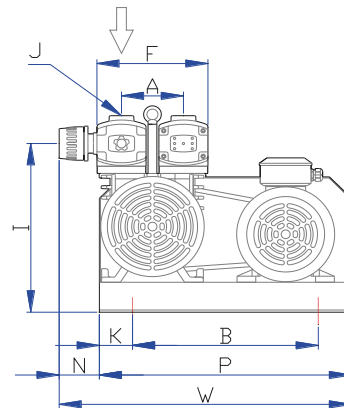
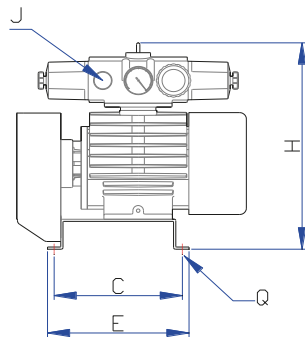
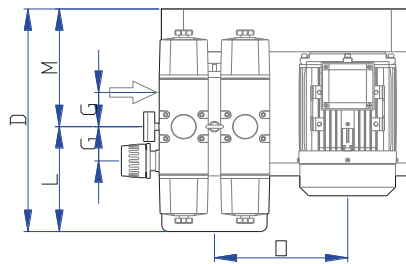
Dry Rotary Vane Vacuum Pumps

EKS - 10 & 10H

• Performance Curve



• Dimensions



DIMENSIONS	W	D	H	A	B	C	E	F	G	I	J	K	L	M	N	O	P	Q
EKS-10A	660	520	482	140	420	290	320	251	-	394	1 - 1/4"	75	245	275	80	301	570	Ø11 - 4