

## EKL SERIES

### Oil Sealed Rotary Vane Vacuum Pump

#### EKL - 800, 1000 & 1200



#### Single Stage, Oil Re-circulating, Air Cooled, and Direct Driven

- Compact Design - Reliability & Durability  
Easy to maintain and operate.
- Simple Installation - Air Cooled No Water Required.
- Direct Drive - C - Face Design requires no belts.
- Integral Exhaust Filter - Discharge Air 99.9% Oil Free.
- Quiet Operation.



**Standard Equipment:** Composite Vane, Wire mesh Inlet Filter Screen, Vibration Isolator, TEFC High Efficiency Motor, Anti-Suck Back Valve, Oil Level Sight Glass, Gas Ballast Valve, Spin-on Oil Filter.

**Optional Equipment:** Exhaust Pressure Gauge, Oil Level Switch (Port), Temperature Switch (Port), Heater Water Cooler and Float Valve Assembly for oil return.

#### • Specifications:

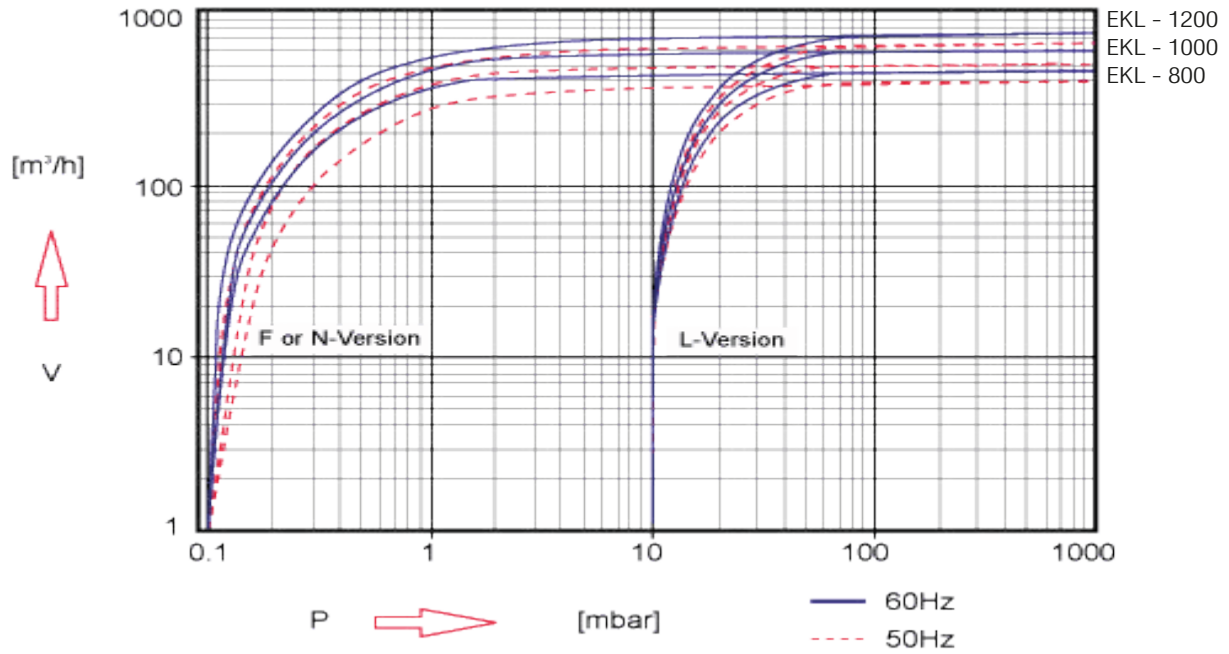
Models			800	1000	1200
<b>Displacement</b>	60Hz	m <sup>3</sup> /h	505	600	780
<b>End Vacuum</b>	F or N version	mbar	0.1	0.1	0.1
	L version		10	10	10
<b>Motor ( 3Ph)</b>	IEC (Kw)	60Hz	15	15	18.5
	NEMA (Hp)		15	20	25
<b>Revolution</b>	RPM	60Hz	1160	1160	1160
<b>Noise</b>	dB (A)	60Hz	78	79	79
<b>Operating Temp.</b>	°C		80	82	80
<b>Oil Capacity</b>	Ltr		19	19	19
<b>Connections</b>	G (BSP) or NPT	Intake	3"	3"	3"
		Exhaust	3"	3"	3"

# EKL SERIES

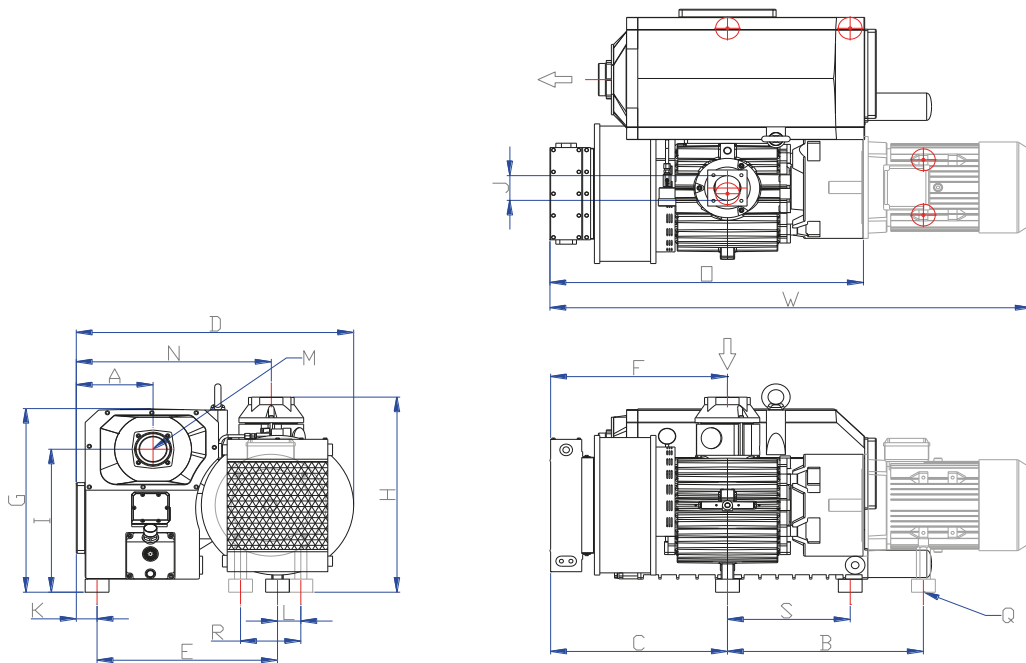
## Oil Sealed Rotary Vane Vacuum Pump

### EKL - 800, 1000 & 1200

#### • Performance Curve



#### • Dimensions



DIMENSIONS	W	D	H	A	B	C	E	F	G	I	J	k	L	M	N	O	Q	R	S
EKL-1200	1747 (1652)				636 (584)	595		595					138 (118)			1097 (1057)		318 (279)	
EKL-1000	1583 (1517)	874	671	242	549 (617)	559	569	559	631	491	G3"	65	118 (74)	G3"	614	988	4x12	279 (190)	387
EKL-800	1484 (1418)				417 (585)	494		494					118 (74)			889		279 (190)	

\* The dimensions in ( ) are for 50Hz