

EKL SERIES

Oil Sealed Rotary Vane Vacuum Pump

EKL - 500 & 600



Single Stage, Oil Re-circulating, Air Cooled, and Direct Driven

- Compact Design - Reliability & Durability
Easy to maintain and operate.
- Simple Installation - Air Cooled No Water Required.
- Direct Drive - C - Face Design requires no belts.
- Integral Exhaust Filter - Discharge Air 99.9% Oil Free.
- Quiet Operation.



Standard Equipment: Composite Vane, Wire mesh Inlet Filter Screen, Vibration Isolator, TEFC High Efficiency Motor, Anti-Suck Back Valve, Oil Level Sight Glass, Gas Ballast Valve, Built-in Float Valve Assembly for oil return, Spin-on Oil Filter.

Optional Equipment: Exhaust Pressure Gauge, Oil Level Switch (Port), Temperature Switch (Port), Heater and Water Cooler.

• Specifications:

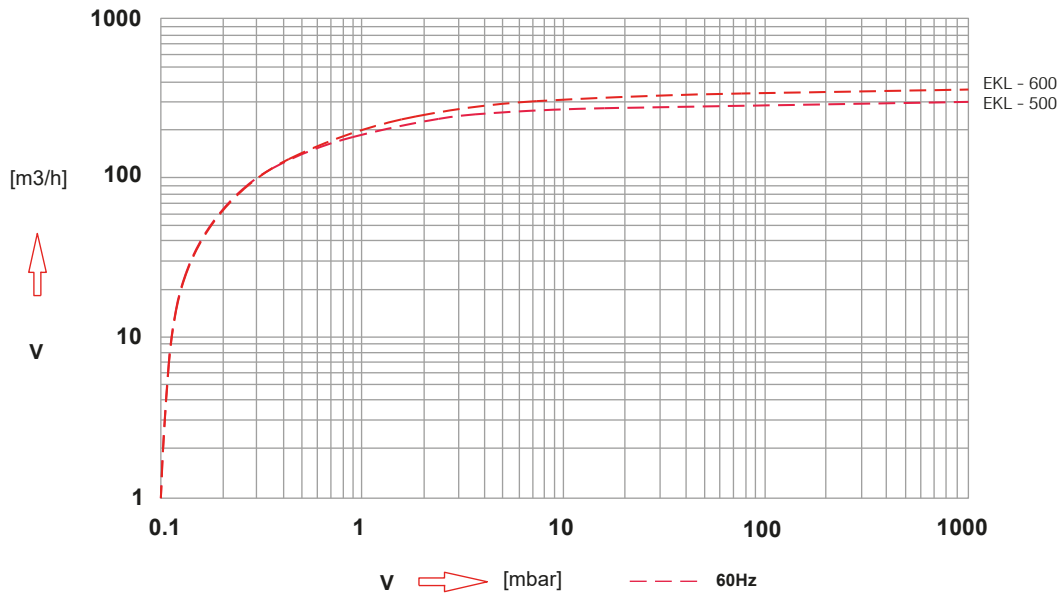
Models			500	600
Displacement	60Hz	m ³ /h	300	360
End Vacuum	F Type	mbar	0.1	0.1
Motor (3Ph)	IEC (Kw)	60Hz	7.5	8.6
	NEMA (Hp)		10	11.5
Revolution	RPM	60Hz	1740	1740
Noise	dB (A)	60Hz	77	78
Operating Temp.	°C		85	85
Oil Capacity	Ltr		8	8
Connections	G (BSP) or NPT	Intake	2"	2"
		Exhaust	2"	2"
Weight	kg (with motor)		184	188

EKL SERIES

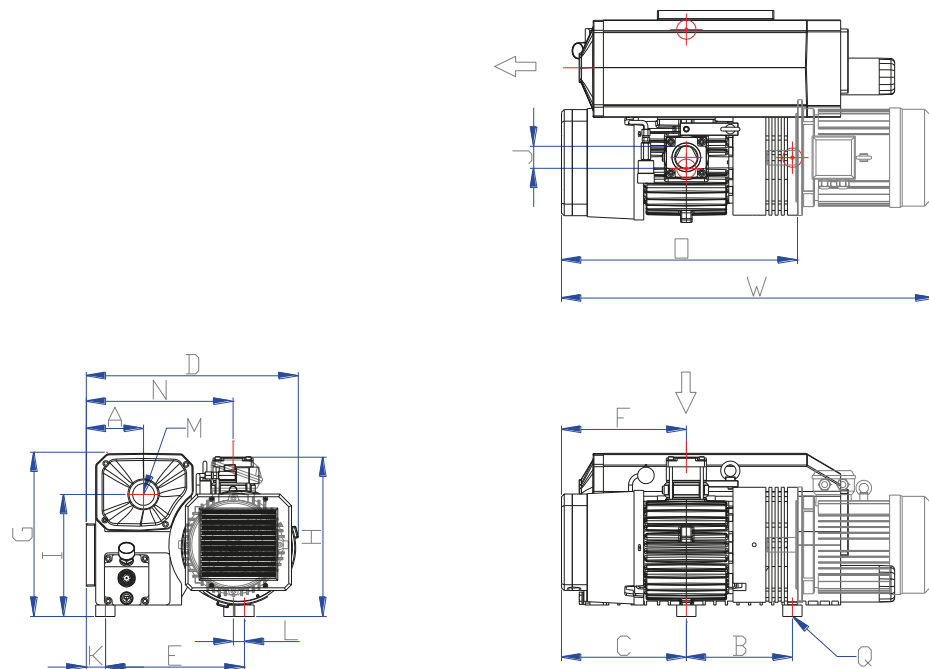
Oil Sealed Rotary Vane Vacuum Pump

EKL - 500 & 600

• Performance Curve



• Dimensions



DIMENSIONS	W	D	H	A	B	C	E	F	G	I	J	K	L	M	N	O	Q
EKL-500	1006 (968)	550	413	149	275	323	360	324	426	316	G 2"	50	29	G 2"	380	612	3xM10
EKL-600	1032 (1006)				311								31				

* The dimensions in () are for 50Hz