

EKL SERIES

Oil Sealed Rotary Vane Vacuum Pump

EKL - 1500



Single Stage, Oil Re-circulating, Air Cooled, and Direct Driven

- Compact Design - Reliability & Durability
Easy to maintain and operate.
- Simple Installation - Air Cooled No Water Required.
- Direct Drive - C - Face Design requires no belts.
- Integral Exhaust Filter - Discharge Air 99.9% Oil Free.
- Quiet Operation.

Standard Equipment: Composite Vane, Wire mesh Inlet Filter Screen, Vibration Isolator, TEFC High Efficiency Motor, Anti-Suck Back Valve, Oil Level Sight Glass, Gas Ballast Valve, Spin-on Oil Filter. Exhaust Pressure Gauge.

Optional Equipment: Exhaust Pressure Gauge, Oil Level Switch (Port), Temperature Switch (Port), Heater Water Cooler and Float Valve Assembly for oil return.

• Specifications:

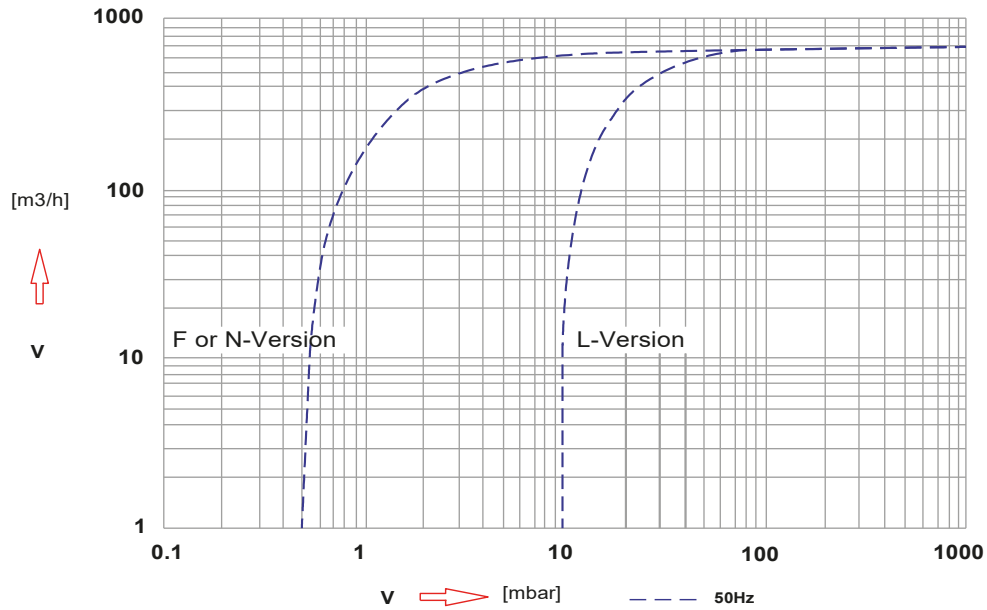
Models			800
Displacement		m ³ /h	750
End Vacuum	F or N version	mbar	0.5
	L version		10
Motor		50Hz	18.5
Revolution		50Hz	1500
Noise		50Hz	79
Operating Temp.	°C		85
Oil Capacity	Ltr		19
Connections	G (BSP) or NPT	Intake	3"
		Exhaust	3"
Weight	kg (with motor) for 50Hz motor		535

EKL SERIES

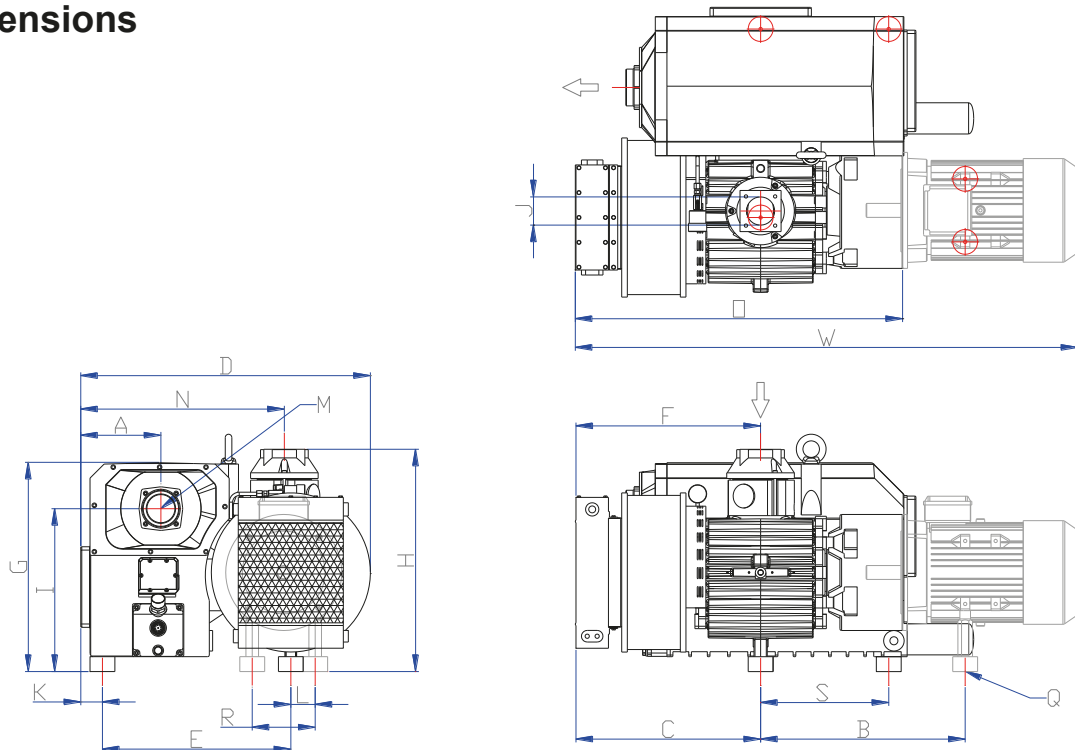
Oil Sealed Rotary Vane Vacuum Pump

EKL - 1500

• Performance Curve



• Dimensions



DIMENSIONS	W	D	H	A	B	C	E	F	G	I	J	K	L	M	N	O	Q	R	S
EKL-1500	1583	874	671	242	698	559	569	559	631	491	G 3"	65	118 (74)	G 3"	614	988	4x12	279 (190)	387