

EKL SERIES Oil Sealed Rotary Vane Vacuum Pump

EKL - 130 & 200



Single Stage, Oil Re-circulating, Air Cooled, and Direct Driven

- Compact Design - Reliability & Durability
Easy to maintain and operate.
- Simple Installation - Air Cooled No Water Required.
- Direct Drive - C - Face Design requires no belts.
- Integral Exhaust Filter - Discharge Air 99.9% Oil Free.
- Quiet Operation.



Standard Equipment: Composite Vane, Wire mesh Inlet Filter Screen, Vibration Isolator, TEFC High Efficiency Motor, Anti-Suck Back Valve, Oil Level Sight Glass, Gas Ballast Valve (N & F Only), Spin-on Oil Filter.

Optional Equipment: Exhaust Pressure Gauge, Level Switch, and Heater.

• Specifications:

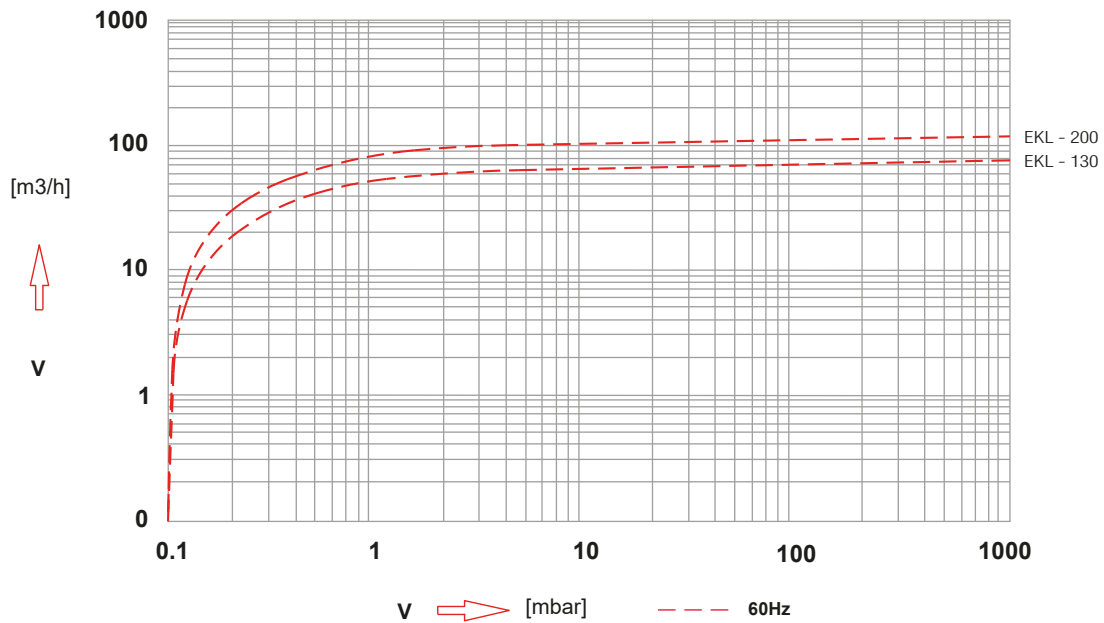
Models			130	200
Displacement	60Hz	m ³ /h	78	120
End Vacuum	F Type	mbar	0.1	0.1
Motor (3Ph)	IEC (Kw)	60Hz	2.2	3
	NEMA (Hp)		3	5
Revolution	RPM	60Hz	1740	1740
Noise	dB (A)	60Hz	68	68
Operating Temp.	°C		85	85
Oil Capacity	Ltr		2.5	2.7
Connections	G (BSP) or NPT	Intake	1-1/4"	1-1/4"
		Exhaust	1-1/4"	1-1/4"
Weight	kg (with motor)		64	75

EKL SERIES

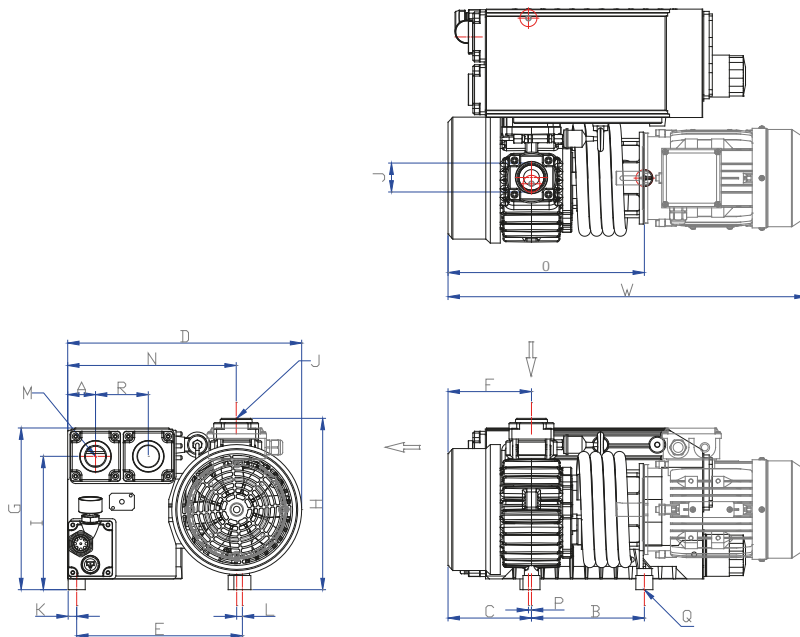
Oil Sealed Rotary Vane Vacuum Pump

EKL - 130 & 200

• Performance Curve



• Dimensions



DIMENSIONS	W	D	H	A	B	C	E	F	G	I	J	K	L	M	N	O	P	Q	R
EKL-130	644 (598)	412	302	49	189	142	292	142	285	235	G1-1/4"	15	10	G1-1/4"	297	336	5.3	3xM8	93
EKL-200	704				224	172		172								396			

* The dimensions in () are for 50Hz